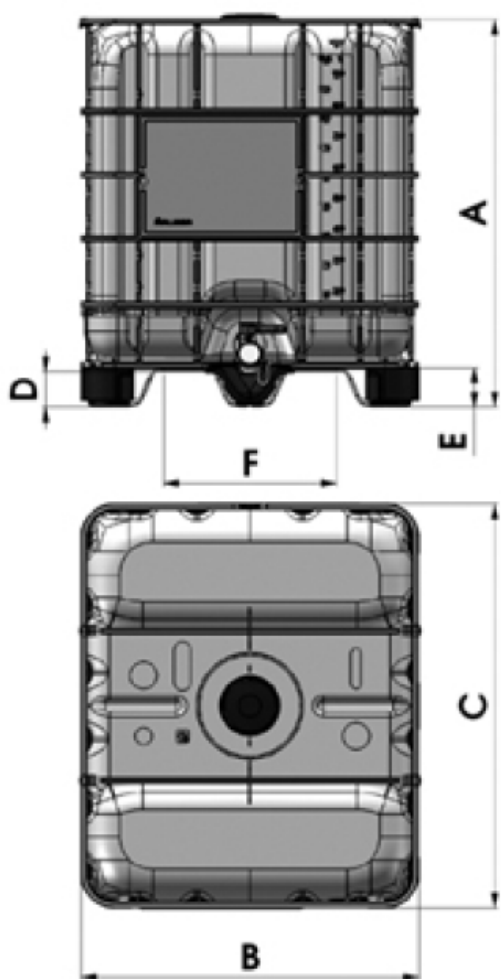


Product Datasheet

IBC container SM13 – composite pallet SKID, UN Y/1.9 approved



Drawing only exemplary

DIMENSIONS

A:	1151.00 mm
B:	1000.00 mm
C:	1200.00 mm
D:	106.00 mm
E:	117.00 mm
F:	567.00 mm
tolerance A:	+ / - 5 mm
tolerance B:	+ / - 5 mm
tolerance C:	+ / - 5 mm

MATERIAL COMPOSITION

total:	55.0 kg
tolerance:	+/- 5%
stacking height (static load, up to 25°C) / at a rel. Density of [kg/l]:	
2 pieces high:	≥1.50
3 pieces high:	≤1.50
4 pieces high:	≤1.20
material:	HDPE UV stabilized - PE
material type:	PE-HD, MFI 21.6 = 5-8 g/10min, density 0.945 g/mL

VOLUME

nominal volume [l]:	1000
brimful volume:	1050
min. wallthickness [mm]:	1.40
inner receptacle [kg]:	15.5

Product Datasheet

LABELING

Label plate front:	medium (400x500mm)	Label plate side:	<i>J.</i>
Label plate back:	medium (400x500mm)	Special labels:	no

MODEL

Type:	Composite IBC	Discharge opening bottom:	DN50 (CCS 60x6)
Volume:	1000 l (275 gal)	Discharge opening top:	<i>J.</i>
Bottle:	standard, natural (VM)	Comp. (SM13) / Plastic (SM15) Pallet:	Comp. Pal. (SM 13) easy way
Approval Category:	Y	Fixed double stacked units:	<i>J.</i>
Approval Pressure:	100 kPa	Barrier Property:	<i>J.</i>
Approval Density:	≤ 1,9 g/cm ³		

COMPONENTS

Butterfly valve:	DN50 2" PE CCS 60x6	De-/gassing system:	<i>J.</i>
Screwcap plumbed:	<i>J.</i>	Filling opening/Screw cap:	DN 150 closed
Discharge Coverplate:	<i>J.</i>	Screw Cap Sealing:	EPDM
plastic cover:	<i>J.</i>	Screw Cap Color:	black
Discharge nozzle:	yes	Corner Protectors:	black

STANDARD FILLING PRODUCTS

	max. vapour pressure at 50°C	max. vapour pressure at 55°C	density PG I	density PG II	density PG III
solid:	<i>J.</i>	<i>J.</i>	<i>J.</i>	<i>J.</i>	<i>J.</i>
water:	110.0	130.0	<i>J.</i>	1.9	1.9
acetic acid:	110.0	130.0	<i>J.</i>	1.6	1.6
wetting solution:	110.0	130.0	<i>J.</i>	1.6	1.6
white spirit:	110.0	130.0	<i>J.</i>	1.6	1.6
n-butyl acetate:	110.0	130.0	<i>J.</i>	1.6	1.6
nitric acid 55%:	110.0	130.0	<i>J.</i>	1.5	1.5
approval:	31HA1/Y.../D/BAM 11027-**/4070*				